



### Features

- Formerly *JW.Miller* model
- Current rating up to 2.5 A
- Inductance range: 10  $\mu$ H to 10,000  $\mu$ H
- RoHS compliant\*

### Applications

- DC/DC converters
- Power supplies
- Desktop notebooks
- Output chokes

## RL855 Series - Radial Lead RF Choke

#### Electrical Specifications (@ 25 °C)

Part Number	Inductance ( $\mu$ H)	Tol.	Q	Test Frequency		SRF (MHz) Min.	DCR ( $\Omega$ ) Max.	I dc (mA)
				L	Q			
RL855-100M-RC	10	$\pm 20\%$	45	1.0 KHz	2.5 MHz	20	0.07	2500
RL855-120M-RC	12	$\pm 20\%$	45	1.0 KHz	2.5 MHz	16	0.08	2400
RL855-150M-RC	15	$\pm 20\%$	45	1.0 KHz	2.5 MHz	14	0.09	2100
RL855-180M-RC	18	$\pm 20\%$	32	1.0 KHz	2.5 MHz	13	0.10	2000
RL855-220K-RC	22	$\pm 10\%$	32	1.0 KHz	2.5 MHz	11	0.12	1700
RL855-270K-RC	27	$\pm 10\%$	32	1.0 KHz	2.5 MHz	9.5	0.14	1600
RL855-330K-RC	33	$\pm 10\%$	22	1.0 KHz	2.5 MHz	8.0	0.17	1400
RL855-390K-RC	39	$\pm 10\%$	22	1.0 KHz	2.5 MHz	7.0	0.21	1300
RL855-470K-RC	47	$\pm 10\%$	22	1.0 KHz	2.5 MHz	4.5	0.24	1200
RL855-560K-RC	56	$\pm 10\%$	22	1.0 KHz	2.5 MHz	4.5	0.31	1100
RL855-680K-RC	68	$\pm 10\%$	22	1.0 KHz	2.5 MHz	4.5	0.34	1000
RL855-820K-RC	82	$\pm 10\%$	22	1.0 KHz	2.5 MHz	5.3	0.40	930
RL855-101K-RC	100	$\pm 10\%$	20	1.0 KHz	790 KHz	4.8	0.52	810
RL855-121K-RC	120	$\pm 10\%$	20	1.0 KHz	790 KHz	4.8	0.59	760
RL855-151K-RC	150	$\pm 10\%$	20	1.0 KHz	790 KHz	3.5	0.71	670
RL855-181K-RC	180	$\pm 10\%$	20	1.0 KHz	790 KHz	3.5	0.89	620
RL855-221K-RC	220	$\pm 10\%$	20	1.0 KHz	790 KHz	3.2	1.04	540
RL855-271K-RC	270	$\pm 10\%$	20	1.0 KHz	790 KHz	3.2	1.28	490
RL855-331K-RC	330	$\pm 10\%$	20	1.0 KHz	790 KHz	3.2	1.47	440
RL855-391K-RC	390	$\pm 10\%$	20	1.0 KHz	790 KHz	3.2	1.67	410
RL855-471K-RC	470	$\pm 10\%$	20	1.0 KHz	790 KHz	2.5	1.95	380
RL855-561K-RC	560	$\pm 10\%$	20	1.0 KHz	790 KHz	2.5	2.83	350
RL855-681K-RC	680	$\pm 10\%$	34	1.0 KHz	790 KHz	1.7	3.25	320
RL855-821K-RC	820	$\pm 10\%$	34	1.0 KHz	790 KHz	1.7	3.82	310
RL855-102K-RC	1000	$\pm 10\%$	80	1.0 KHz	250 KHz	1.70	5.28	250
RL855-122K-RC	1200	$\pm 10\%$	80	1.0 KHz	250 KHz	1.70	6.03	230
RL855-152K-RC	1500	$\pm 10\%$	80	1.0 KHz	250 KHz	1.70	7.15	210
RL855-182K-RC	1800	$\pm 10\%$	80	1.0 KHz	250 KHz	0.95	8.26	200
RL855-222K-RC	2200	$\pm 10\%$	80	1.0 KHz	250 KHz	0.95	11.1	180
RL855-272K-RC	2700	$\pm 10\%$	80	1.0 KHz	250 KHz	0.95	13.1	160
RL855-332K-RC	3300	$\pm 10\%$	80	1.0 KHz	250 KHz	0.95	15.9	140
RL855-392K-RC	3900	$\pm 10\%$	80	1.0 KHz	250 KHz	0.95	18.0	130
RL855-472K-RC	4700	$\pm 10\%$	80	1.0 KHz	250 KHz	0.95	23.9	120
RL855-562K-RC	5600	$\pm 10\%$	80	1.0 KHz	250 KHz	0.55	26.8	110
RL855-682K-RC	6800	$\pm 10\%$	80	1.0 KHz	250 KHz	0.55	31.7	98
RL855-822K-RC	8200	$\pm 10\%$	80	1.0 KHz	250 KHz	0.55	46.5	88
RL855-103K-RC	10,000	$\pm 10\%$	80	1.0 KHz	79 KHz	0.55	55.7	81

#### General Specifications

Rated Current ..... Inductance drop 10 %  
 Operating Temperature ..... -30 °C to +100 °C  
 Storage Temperature ..... -30 °C to +100 °C

#### Materials

Core Material ..... Ferrite  
 Wire ..... Enameled copper  
 Terminal Coating ..... Sn

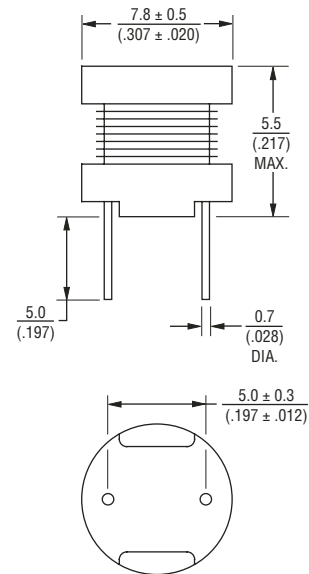
#### Marking

..... Value code on top of inductor

#### Packaging

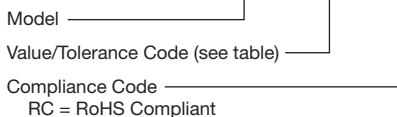
Standard ..... 100 pcs. per bag

#### Product Dimensions



#### How To Order

**RL855 - 152K - RC**



Example:  
 RL855-152K-RC = 1500  $\mu$ H,  $\pm 10\%$

#### Electrical Schematic



REV. 02/09

\*RoHS Directive 2002/95/EC Jan 27 2003 including Annex.  
 Specifications are subject to change without notice.  
 Customers should verify actual device performance in their specific applications